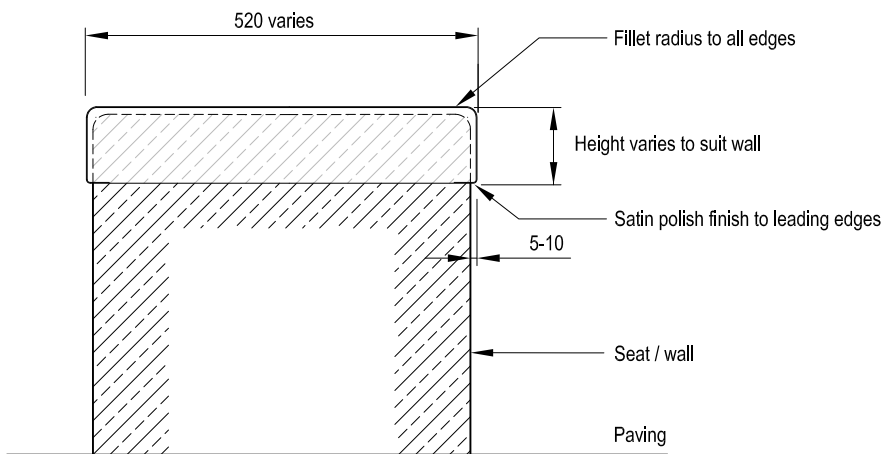


Section - stepped wall



Section - seat / wall



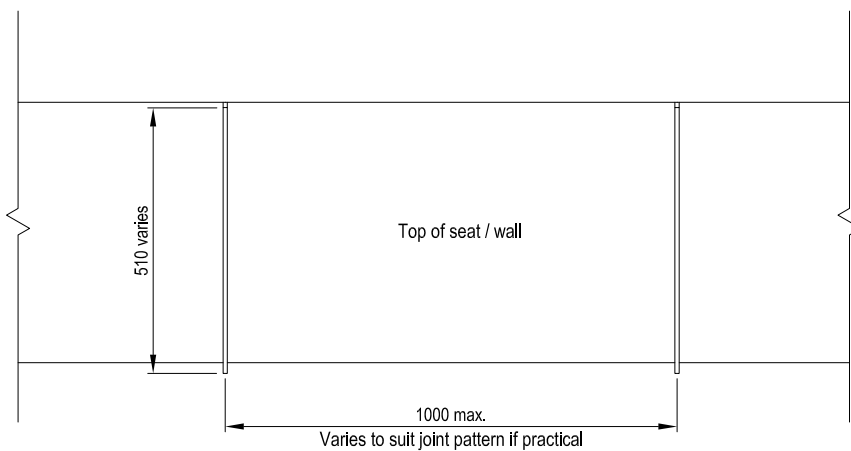
Skate deterrent fins are used to protect hard landscape features such as bluestone seating walls and retaining walls from damage by skates and skateboards.

Long fins are designed to suit the wall / seat dimensions. The choice of fin size depends upon the width of the area to be protected. Skate fins are generally placed at maximum 1000mm centres and at construction joints wherever possible.

Fins are fabricated from 8mm thick, 316 grade chrome polished stainless steel.

For fabrication & installation drawings, refer to City of Melbourne, City Design drawings; Project No:

900999_F04_Skateboard Stop_Long Fin



Plan