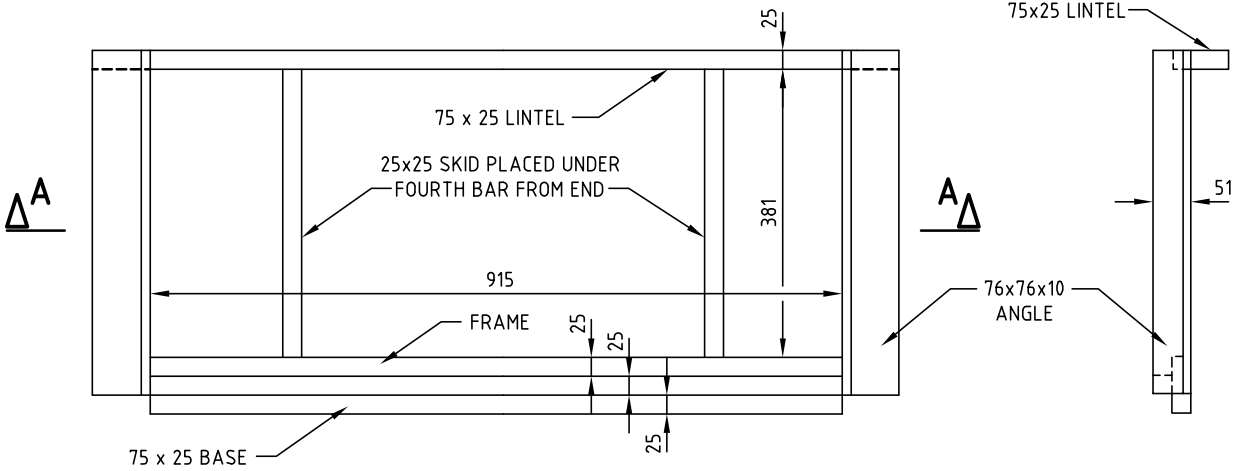
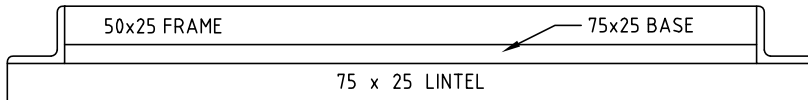


SECTION A - A

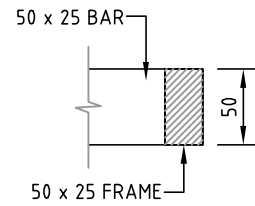


PLAN OF FRAME

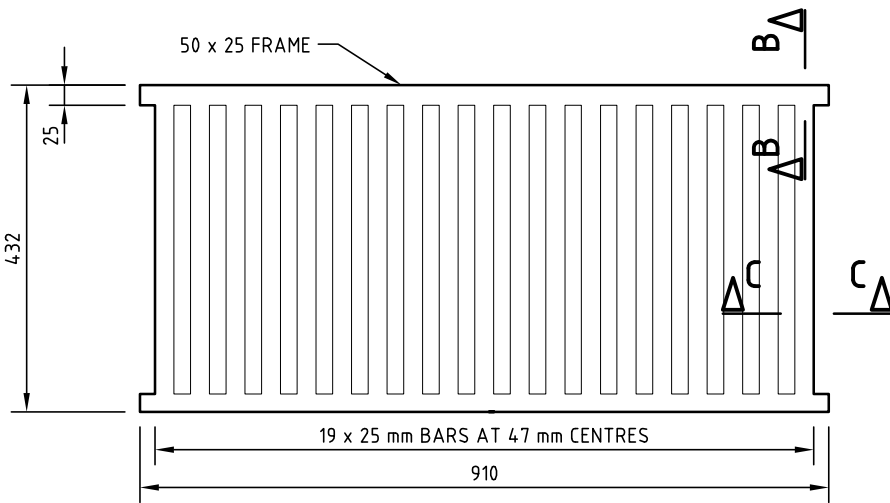
END ELEVATION



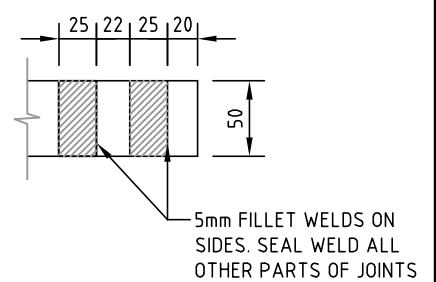
ELEVATION (FROM BACK)



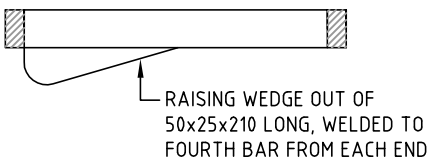
**SECTION B-B
(ENLARGED)**



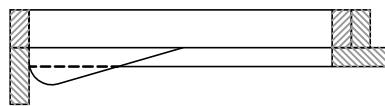
PLAN OF GRATING



**SECTION C-C
(ENLARGED)**



SECTION OF GRATE



SECTION OF ASSEMBLY

NOT TO SCALE



CITY OF MELBOURNE

ENGINEERING SERVICES BRANCH

**STANDARD 915 x 381 mm
FRAME AND GRATING
STREET TYPE**

Approved By

Principal Engineer
Infrastructure

Date Nov, 2010

Manager
Engineering Services

Date Nov, 2010

Drawing
Number

Revision

Docs
Number

1P 50305

E