

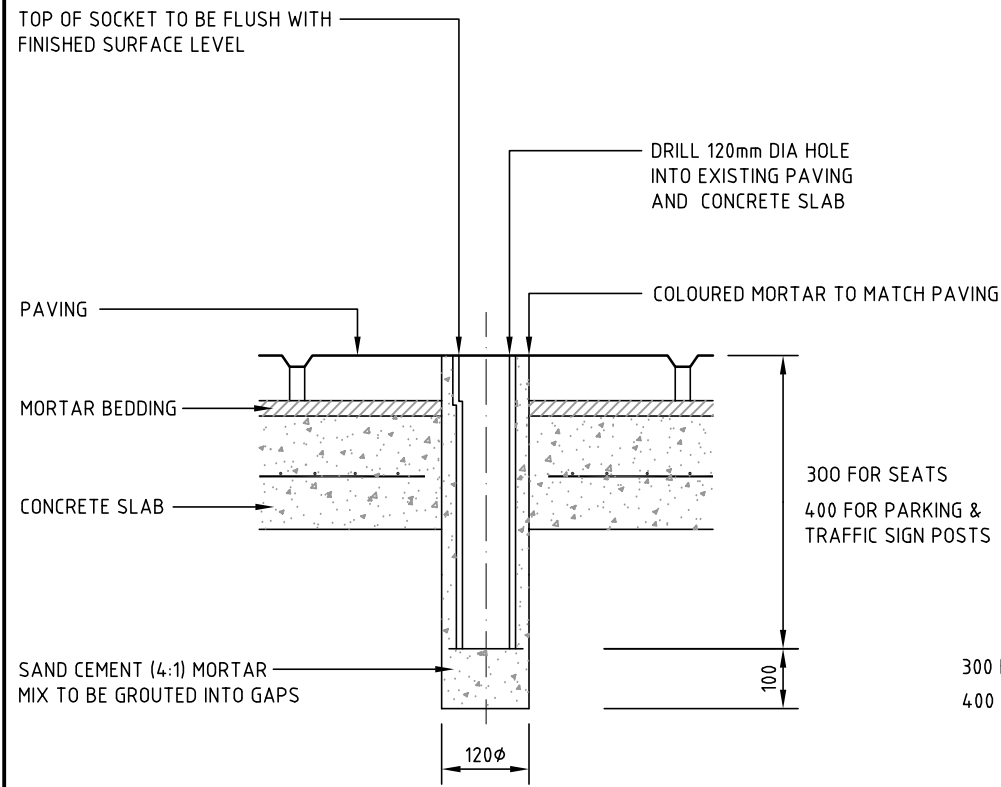
**GENERAL NOTES:**

**INSTALLATION OF GIB KEY SOCKETS:**

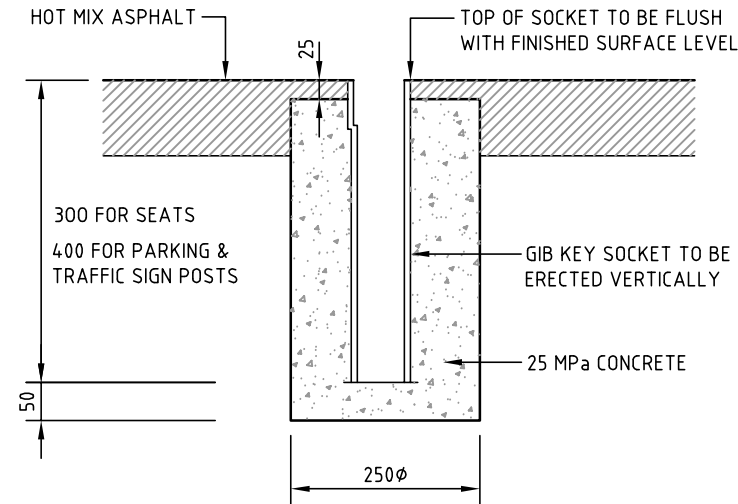
- GIB KEY SOCKETS AND POST SHALL BE ERECTED VERTICALLY
- INTERNAL DIAMETER 50mm, 300 LONG GIB KEY SOCKETS SHALL BE USED FOR SEATS
- INTERNAL DIAMETER 60mm, 400 LONG GIB KEY SOCKETS SHALL BE USED FOR PARKING AND TRAFFIC SIGNS IN PAVED SURFACE

**FABRICATION OF GIB KEY SOCKETS:**

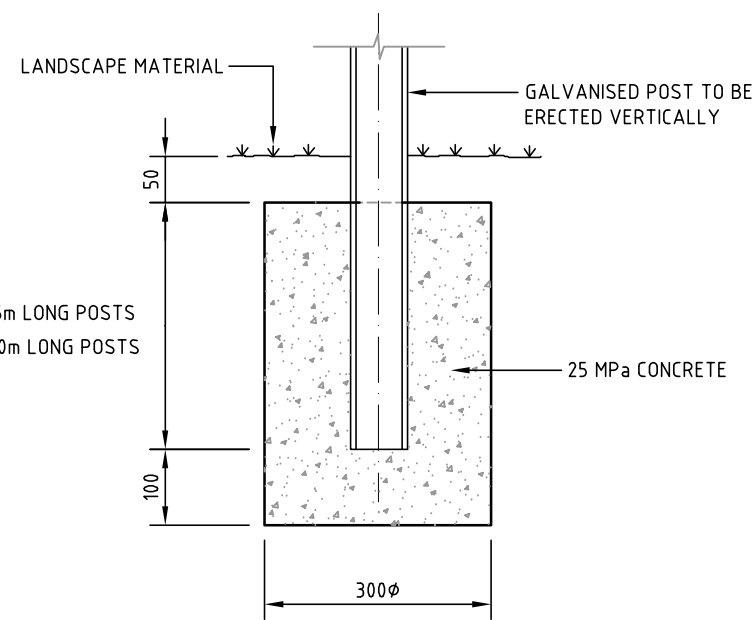
- GIB KEY SHALL BE GALVANISED IN ACCORDANCE WITH AS 1650
- AFTER GALVANISING ONE COAT OF POWDER COAT SHALL BE APPLIED. COLOUR CHARCOAL (75 MICRONS)
- ALL SMALL WELDS SHALL BE 4mm CONTINUOUS WITH E41xx WELDING ELECTRODE TO AS1554 PART 1 & 2 AS APPROPRIATE.
- BARE STEEL & WELDED AREAS SHALL BE CLEANED COATED WITH ZINCILATE 880 OR EQUIVALENT
- ALL WORKMANSHIP & MATERIALS SHALL BE IN ACCORDANCE WITH AS 4100 STEEL STRUCTURES
- ALL BUTT WELDS SHALL BE FULL PENETRATION



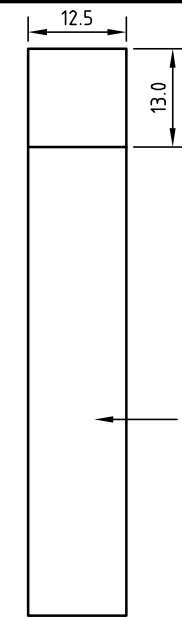
**DETAIL 1**  
ARRANGEMENT OF SOCKET IN  
BLUESTONE PAVEMENT



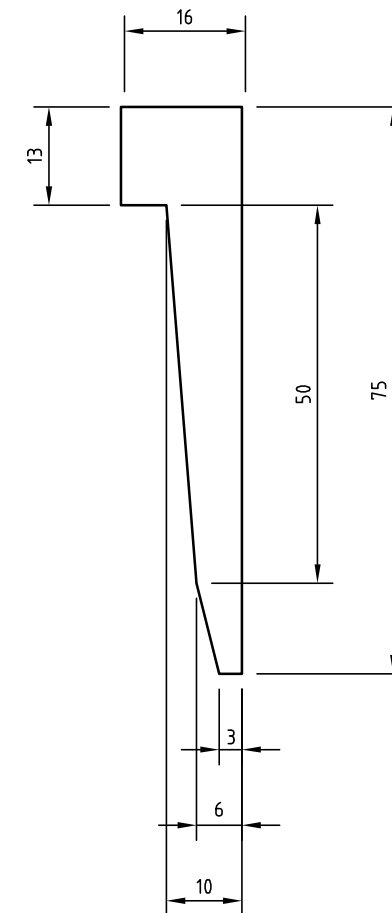
**DETAIL 2**  
ARRANGEMENT OF SOCKET  
IN ASPHALT PAVEMENT



**DETAIL 3**  
ARRANGEMENT OF STATCON  
POST IN LANDSCAPED AREA

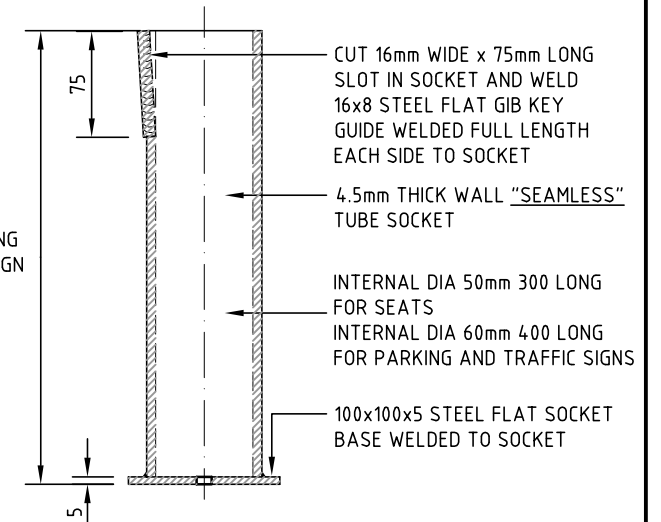


**FRONT ELEVATION**

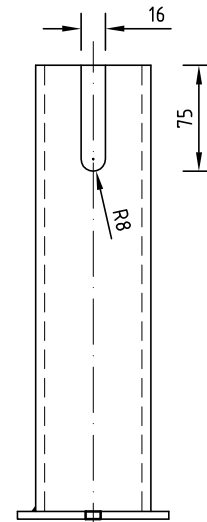


**SIDE ELEVATION**

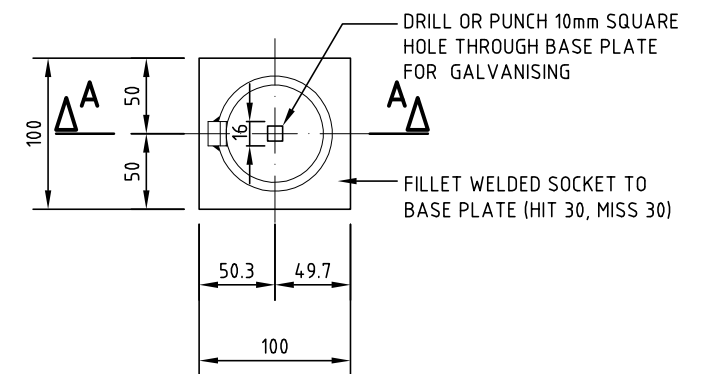
**DETAIL 4**  
GIB KEY



**SECTION A-A**



**FRONT ELEVATION**



**PLAN**

**DETAIL 5**  
GIB KEY SOCKET

NOT TO SCALE



**GIB KEY SOCKET  
AND POST INSTALLATION/FABRICATIONS DETAILS  
(SEATS, PARKING AND TRAFFIC SIGNS)**

**ENGINEERING SERVICES BRANCH**

|                                   |  |                |  |
|-----------------------------------|--|----------------|--|
| Approved By                       |  | Drawing Number |  |
| Principal Engineer Infrastructure |  | 1P 50400       |  |
| Date Nov, 2010                    |  | Revision       |  |
| Manager Engineering Services      |  | B              |  |
| Date Nov, 2010                    |  | Docs           |  |

| Rev. | Revision Details | By | Date |
|------|------------------|----|------|
|------|------------------|----|------|