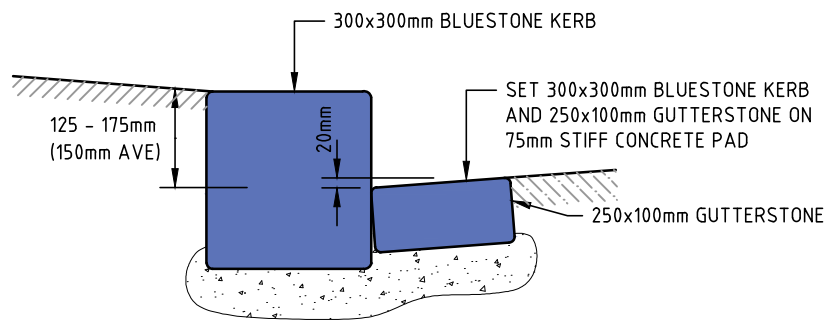


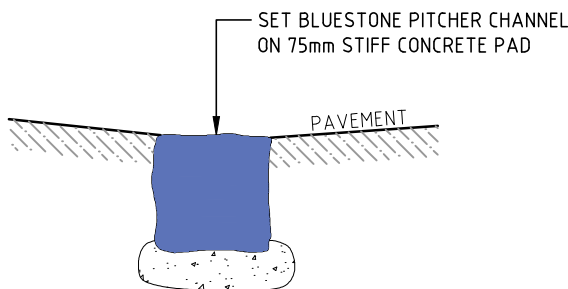
DETAIL 1:

BLUESTONE KERB & PITCHER CHANNEL SETTING DETAIL



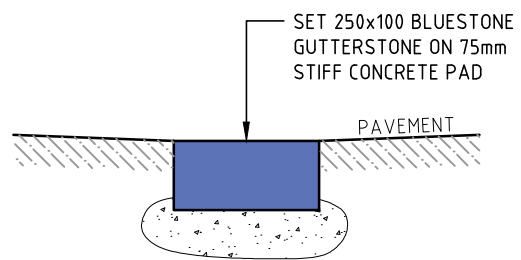
DETAIL 2:

BLUESTONE KERB & GUTTERSTONE SETTING DETAIL



DETAIL 3:

BLUESTONE CENTRE PITCHER CHANNEL SETTING DETAIL



DETAIL 4:

BLUESTONE GUTTERSTONE SETTING DETAIL

NOT TO SCALE

ENGINEERING SERVICES BRANCH



CITY OF MELBOURNE

BLUESTONE KERB AND CHANNEL SETTING DETAILS

Approved By		Drawing Number	1P 50406
Principal Engineer Infrastructure	Manager Engineering Services	Revision	B
Date Oct, 2012	Date Oct, 2012	Docs Number	