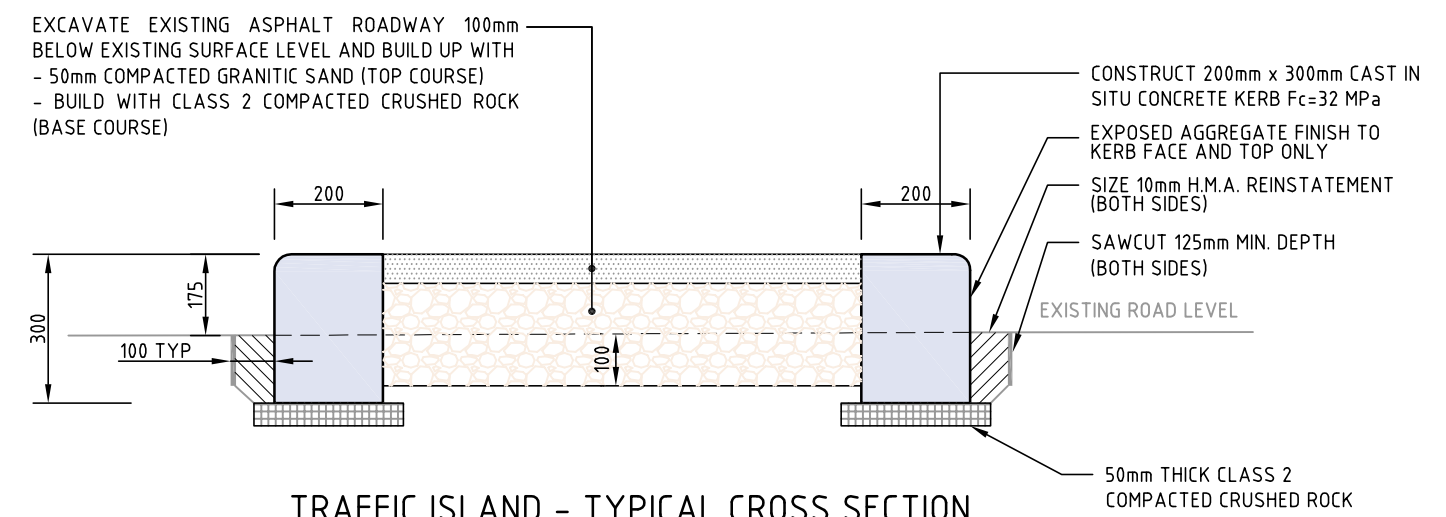
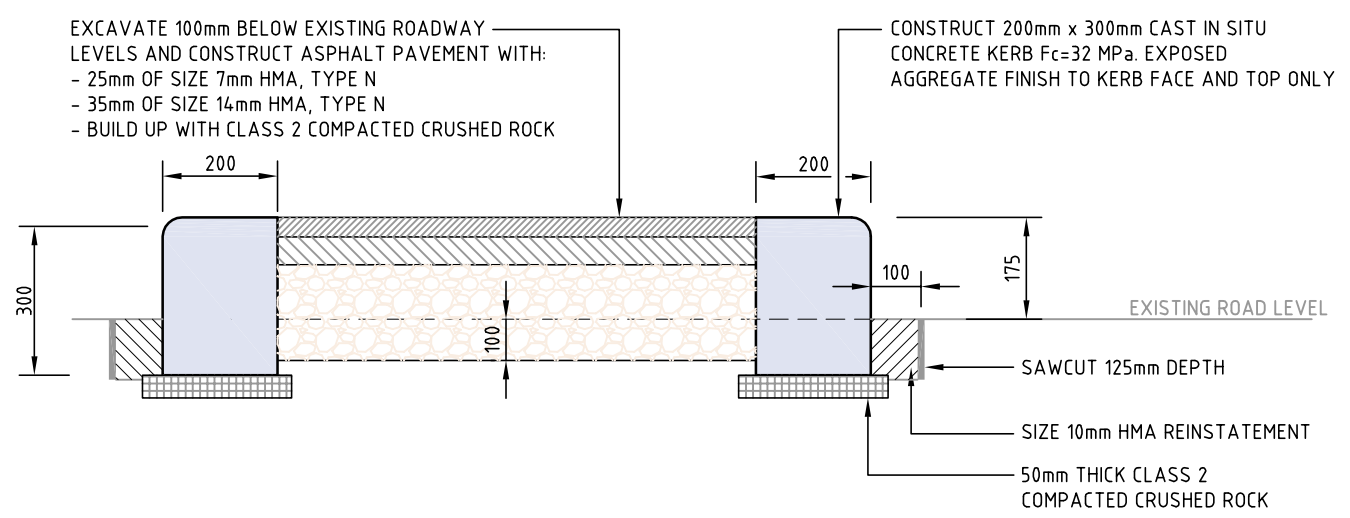


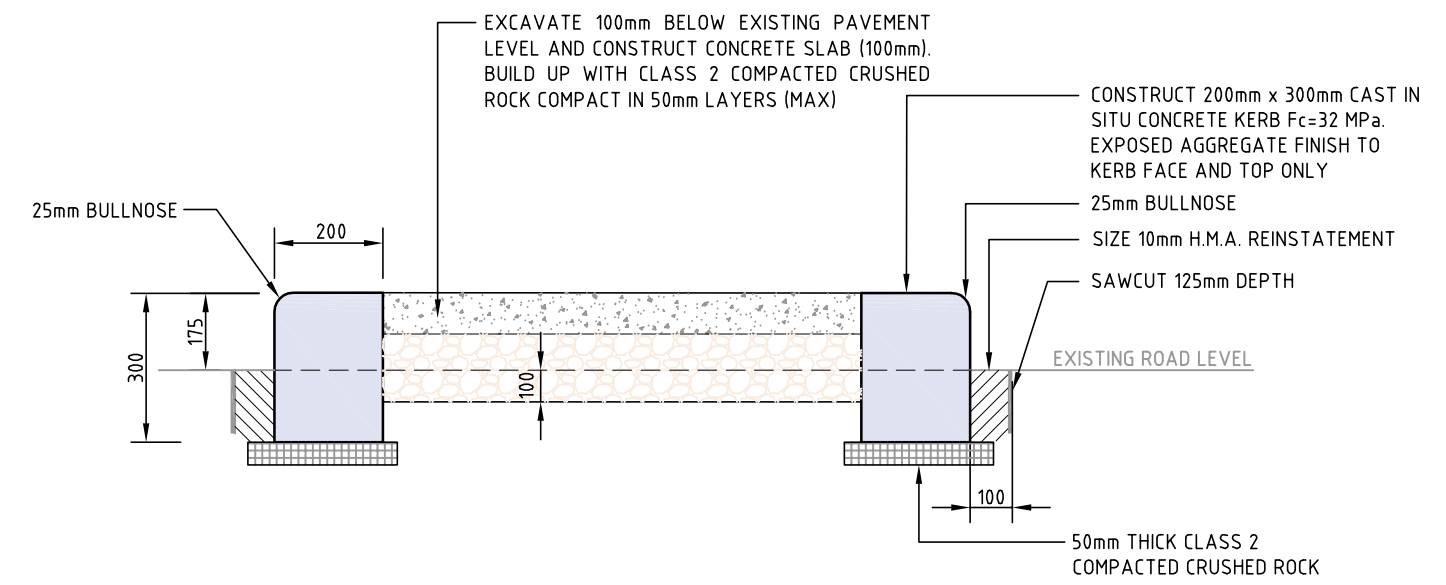
**TRAFFIC ISLAND - TYPICAL CROSS SECTION**  
**CAST IN-SITU CONCRETE KERB WITH GRASS INFILL**



**TRAFFIC ISLAND - TYPICAL CROSS SECTION**  
**CAST IN-SITU CONCRETE KERB WITH GRANITIC SAND INFILL**



**TRAFFIC ISLAND - TYPICAL CROSS SECTION**  
**CAST IN-SITU CONCRETE KERB WITH ASPHALT INFILL**



**TRAFFIC ISLAND - TYPICAL CROSS SECTION**  
**CAST IN-SITU CONCRETE KERB WITH CONCRETE INFILL**

NOT TO SCALE



Rev.	Revision Details	By	Date

TYPICAL SECTIONS  
 TRAFFIC ISLANDS  
 CAST IN-SITU CONCRETE KERB

ENGINEERING SERVICES BRANCH			
Approved By		Drawing Number	
Principal Engineer Infrastructure		1P 50509	
Date		Revision	
Nov, 2010		B	
Manager Engineering Services		Docs	
Date			
Nov, 2010			